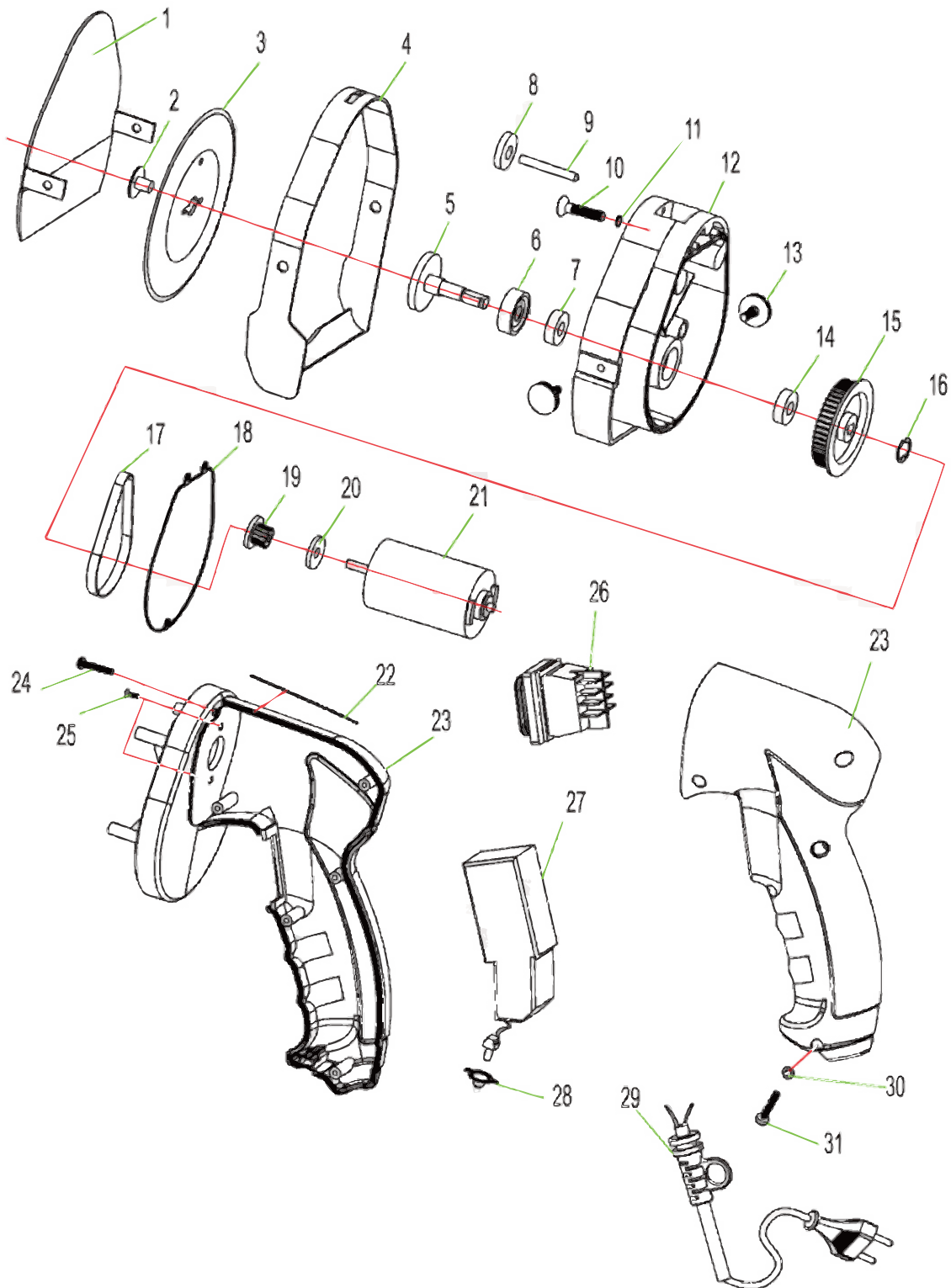


Parts Breakdown

Model **KS-CN-0100** 40280



Parts Breakdown

Model KS-CN-0100 40280

Item No.	Description	Position	Item No.	Description	Position	Item No.	Description	Position
72454	Knife Protector for 40280	1	65880	Gasket for 40280	11	72472	Sealing Strip for 40280	22
42052	Fastening Screw for 40280	2	72460	Gear Box for 40280	12	42058	Housing for 40280	23
42053	Knife (Non- Serrated) for 40280	3	72461	Lock Screw for 40280	13	72470	Screw for 40280	24
43984	Serrated Blade for 40280	3	72463	Bearing for 40280	14	72471	Screw for 40280	25
72455	Adjustment Ring for 40280	4	72464	Pulley for 40280	15	72473	Switch for 40280	26
72456	Output Axis for 40280	5	72465	Shaft Circlip for 40280	16	72474	Circuit Board for 40280	27
42054	Oil Seal for 40280	6	42056	Belt for 40280	17	72475	Reset Cap for 40280	28
42055	Bearing for 40280	7	72466	Seal Ring for 40280	18	72476	Power Cord for 40280	29
72457	Adjustment Screw for 40280	8	72467	Motor Gear for 40280	19	65881	Screw Gasket for 40280	30
72458	Bolt for 40280	9	72468	Ring Washer for 40280	20	72477	Screw for 40280	31
72459	Screw for 40280	10	42057	Motor for 40280	21			